

PRODUCT: BEL KENSINGTON 90DF SATI  
 COLOUR: SATI  
 CODE: 444447037  
 ISSUE: 1  
 DATE: 25/04/2006



Key	Product	Product Description	TCO	Replace	Date	Qty
0026	082060800	BEARING door KB				2
0026	082060800	BEARING door KB				2
0032	082566100	BEZEL switch Blk				1
0037	082851704	BEZEL grill Sta				1
0037	082851703	BEZEL mf switch Sta				1
0037	082851702	BEZEL tstat elec fanned Sta				1
0037	082851701	BEZEL tstat elec mf Sta				1
0037	082851700	BEZEL h/p Sta				5
0042	281114900	BOX junction hylec PA223/3S				1
0046	502815400	BRACKET plinth fixing				2
0051	502057901	BRACKET stability cavity				1
0573	082859400	MAGNET				2
0061	080214900	BUFFER clear grill door soft				2
0062	081557600	BUFFER door hard 4000				2
0083	082519300	BURNERBOWL aux (0.77) Defendi				1
0084	082519400	BURNERBOWL semi (1.04) Defendi				2
0085	082519500	BURNERBOWL rapid (1.29)Defendi				1
0086	082546704	BURNERBOWL wok ng (63/121 inj)				1
0090	082519700	BURNERCAP aux nf gls Defendi				1
0091	082519703	BURNERCAP semi nf gls Defendi				2
0092	082519706	BURNERCAP rapid nf gls Defendi				1
0094	082546900	BURNERCAP wok inner-gloss				1
0094	082547000	BURNERCAP wok outer-gloss				1
0097	082852101	BURNERTUBE lh front 900				1
0098	082852103	BURNERTUBE rh front 900				1
0099	082852100	BURNERTUBE lh rear 900				1
0100	082852104	BURNERTUBE rh rear 900				1
0101	082852102	BURNERTUBE wok 900				1
0102	082519600	BURNERSKIRT aux nf Defendi				1
0103	082519602	BURNERSKIRT semi nf Defendi				2
0104	082519604	BURNERSKIRT rapid nf Defendi				1
0105	082546800	BURNERSKIRT wok				1
0113	081718425	BUTTON timer Blk				3
0114	082566200	BUTTON switch Nic				1
0147	082533800	CATCH roller (nylon)				1
0159	502818700	RETAINER channel inner glass				2
0178	082520000	CLIP spring Defendi				5
0180	080181345	CLIP phial/probe				2
0180	080181345	CLIP phial/probe				2
0182	082101600	CLIP tubular				4
0182	082101600	CLIP tubular				4
0182	082101600	CLIP tubular				4
0207	502801908	COVER plinth outer bel 900 Sta				1
0207	562802007	COVER plinth inner bel 900 Blk				1
0209	602129307	COVER grill element (pristine)				1
0210	601588723	COVER oven fan mottle				1
0210	601588723	COVER oven fan mottle				1
0211	502291500	COVER flue vent				1

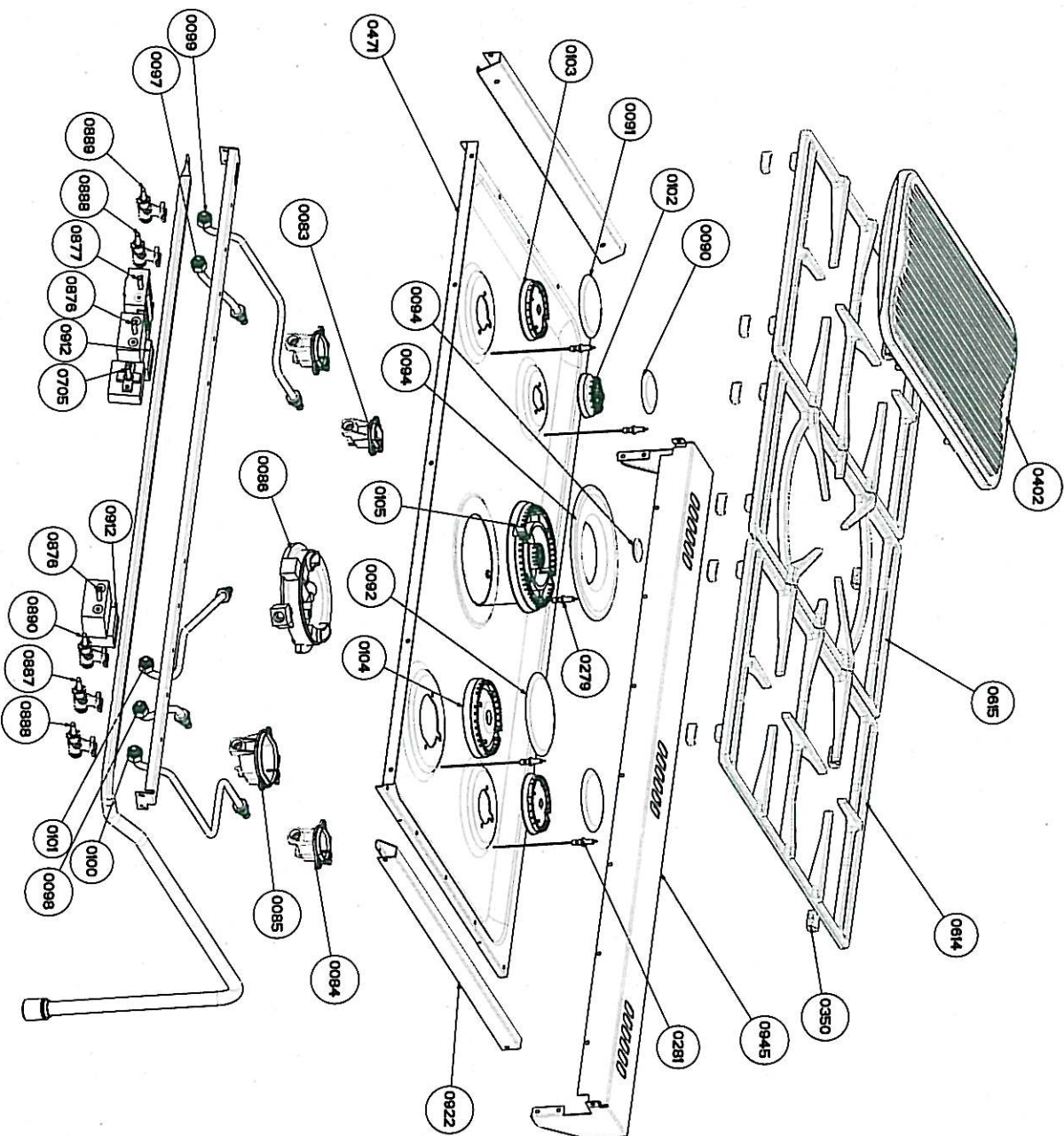
0211	502291500	COVER flue vent				1
0248	502859004	DOOR panel oven outer lh				1
0248	502859101	DOOR oven outer rh 900df Sta				1
0252	502858902	DOOR panel t/ov slow cook Sta				1
0253	601823318	DOOR panel top oven inner 500				1
0279	082547100	ELECTRODE wok 900mm long lead				1
0281	082532602	ELECTRODE 1300mm 50418				4
0286	082230600	ELEMENT base KB				1
0287	081561402	ELEMENT grill KB				1
0294	081561600	ELEMENT oven fan (2.5kw) KB				1
0294	081561600	ELEMENT oven fan (2.5kw) KB				1
0295	082010701	ELEMENT oven top KB				1
0314	082233400	FAN cooling DP203A-2123LST-C31				1
0315	081581800	FAN oven circulation	21/03/06			1
0315	082868400	FAN oven circulation				1
0315	081581800	FAN oven circulation	21/03/06			1
0315	082868400	FAN oven circulation				1
0319	012848612	FACIA assy 900df Sta/Blk				1
0349	081830501	FOOT levelling long				3
0358	602577601	FRONTFRAME nw spirit 80df				1
0358	602856800	FRONTFRAME (pristine)				1
0388	082825100	GENERATOR Ignition GMF5				1
0391	082852700	GLASS oven door (clear)				1
0402	082554901	GRIDDLE ribbed universal				1
0411	082517700	GRILL PAN (vit enamel) Blk				1
0411	082517700	GRILL PAN (vit enamel) Blk				1
0412	082469100	GRIP handle grill pan				1
0417	081367370	GROMMET h/r rb 64 santoprene				1
0417	081367370	GROMMET h/r rb 64 santoprene				1
0418	082340500	GUARD fan REF FG12				1
0418	502858700	GUARD wiring				1
0419	082858100	GUIDE oven shelf (25 position)				2
0422	082512200	GUIDE oven shelf (15 position)				2
0422	082512202	GUIDE oven shelf (5 position)				2
0424	082718902	HANDBOOK Belling DF ranges	####			1
0424	082719000	HANDBOOK belling df ranges				1
0427	082283705	HANDLE grill pan				1
0428	082851800	HANDLE assy door Chr				1
0428	082851800	HANDLE assy door Chr				1
0428	082851800	HANDLE assy door Chr				1
0436	082462304	HARNESS dr c/out switch 204415				1
0455	082560800	HINGE tov/grill NS P3036CO				2
0458	082856400	HINGE bottom				1
0458	082856400	HINGE bottom				1
0459	082856401	HINGE top				1
0459	082856401	HINGE top				1
0471	502582515	HOTPLATE 900 Sta				1
5044	082606772	BELLING BADGE BBELLING013				1
0508	082553705	INSULATION top oven back				1
0508	082833100	INSULATION strip narrow				2
0510	082455602	INSULATION MAIN OVEN WRAP 900s				1
0510	082455600	INSULATION main oven wrap elec				1
0511	082455601	INSULATION top oven elec				1
0512	082869200	INSULATION tall oven door				1
0517	082553709	INSULATION main oven back 500				1

0517	082292813	INSULATION MAIN OVEN BACK 900s				1
0522	012860200	KIT range lp conversion				1
0525	082830202	KNOB belling range Blk				9
0544	926016900	LAMP assy oven				1
0544	926016900	LAMP assy oven				1
0557	082044000	LOCKNUT foot				3
0575	082048600	NEON oven 1221.113.501.09				2
0576	082858200	MOULDING grill door switch				1
0576	082858300	COVER fan leads (moulded)				1
0580	082862100	NUT captive(High temp)CAN 163				12
0580	082861000	LUG NUT				2
0580	082861000	LUG NUT				2
0585	561776724	OUTERSIDE lh 1000G Blk				2
0588	612857100	OVEN cavity assy (pristine)				1
0589	612873400	OVEN cavity assy (pristine)				1
0591	612873200	OVEN cavity tov/gr (pristine)				1
0599	502857400	PANEL rear service				1
0599	012857300	DOOR assy inner panel				1
0599	012561004	DOOR assy inner panel lh				1
0599	502848003	PANEL inner facia 900df				1
0604	502830315	PANEL rear service 900/1000DF				1
0609	501813010	PANEL rear inner sc 900range				1
0614	082843602	PAN SUPPORT Bel 2 burner 90				2
0615	082843601	PAN SUPPORT Bel wok				1
0637	082554400	VENT TUBE				1
0637	082554400	VENT TUBE				1
0670	082548401	PLATE cover wok burner bowl				1
0685	081117900	PLATE tapping				2
0685	081117900	PLATE tapping				2
0685	081117900	PLATE tapping				2
0695	562857200	PLINTH 900 Blk				1
0705	082590900	REGULATOR energy MPA-V02SV				1
0713	502425101	RETAINER insulation main oven				1
0713	502384900	RETAINER insulation top oven				1
0716	082065700	ROD pushrod 040 KB				2
0728	080180668	SCREW m4x23mm c/sk p/dr mch				2
0728	080180676	SCREW m6x30 pp mc				2
0728	080215764	WASHER fibre 11/64" dia				2
0728	080180676	SCREW m6x30 pp mc				2
0728	080180676	SCREW m6x30 pp mc				4
0733	081797201	SEAL grill KB				1.2
0734	082501400	SEAL oven 50m roll				1.4
0734	082501400	SEAL oven 50m roll				1.8
0736	081423974	SEAL tap 4mm COPRECI F3862-04				5
0749	082858000	SHELF main oven 332mm wide				4
0749	082512301	SHELF main oven 402wide				1
0749	082512301	SHELF main oven 402wide				2
0754	502398800	SHIELD wiring				1
0770	532254673	SIDEFAME assy rh 500/550tc				1
0783	082489700	SLEEVE neon lead 104397				1
0790	082859600	SPACER cavity				2
0791	082554300	SPACER oven fan				3
0791	082554300	SPACER oven fan				3
0791	082554300	SPACER oven fan				2
0806	081511001	SPRING COMPRESSION CONTROL BZ				9

0813	501829303	STIFFENER STRUT				2
0823	082494402	STRIKER door (silver)				1
0826	502590100	SUPPORT wok				1
0827	602857800	STRIP jointing front(pristine)				1
0835	082569006	SUPPORT timer lens				1
0835	502302602	SUPPORT tap rail brkt				1
0835	082572200	HINGE COUNTER SUPPORT				2
0835	502586303	SUPPORT taprail				1
0835	602405100	SUPPORT top element				1
0876	082558101	SWITCH rotary oven42.02400.008				2
0876	082578200	SWITCH door ROLD				1
0877	082859700	SWITCH selector 7 function				1
0878	081811101	SWITCH Ignition E2009				1
0880	082066200	SWITCH thermal cutout L120c				1
0880	081545403	SWITCH thermal cut-out 150c				2
0882	082808903	SWITCH thermal brown 80c				1
0887	082856502	TAP hotplate rap NG blue				1
0888	082856501	TAP hotplate sr NG red/white				2
0889	082856500	TAP hotplate aux NG red				1
0890	082856503	TAP hotplate wok NG white				1
0900	082852600	TAPRAIL 900df				1
0912	082558001	THERMOSTAT EGO 55.17069.090				2
0917	082874000	TIMER (programmer 900)				1
0922	502586705	TRIM hotplate side 1000 Sta				2
0929	502586803	TRANSOM 900				2
0930	501590200	TRAY element				1
0937	502819200	TRAY intermediate 500 elec				1
0938	502860300	TRAY intermediate				1
0945	502851903	TRIM VENT 900 Sta				1
0950	562867304	FACIA lip 90 Blk				1
0967	082518800	TRIVET grill pan				1
0977	080181053	WASHER 15.02x28.35x1.49				9
0979	082462565	WIRE black 250x120x850x250mm				1
0991	030116310	WHEEL ASSY				2

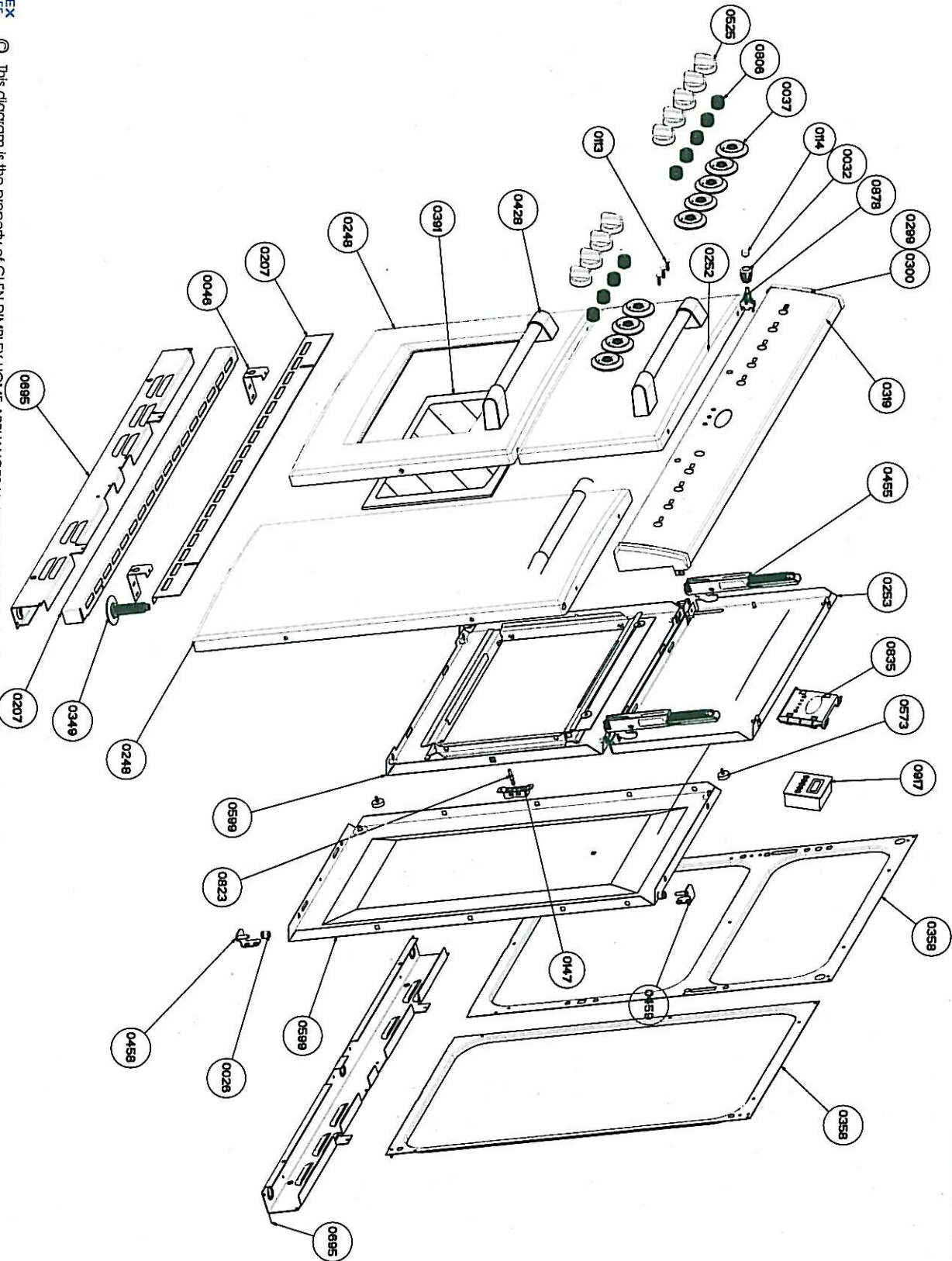


# 90DF ISSUE 1 DATE 20-04-06 HOTPLATE





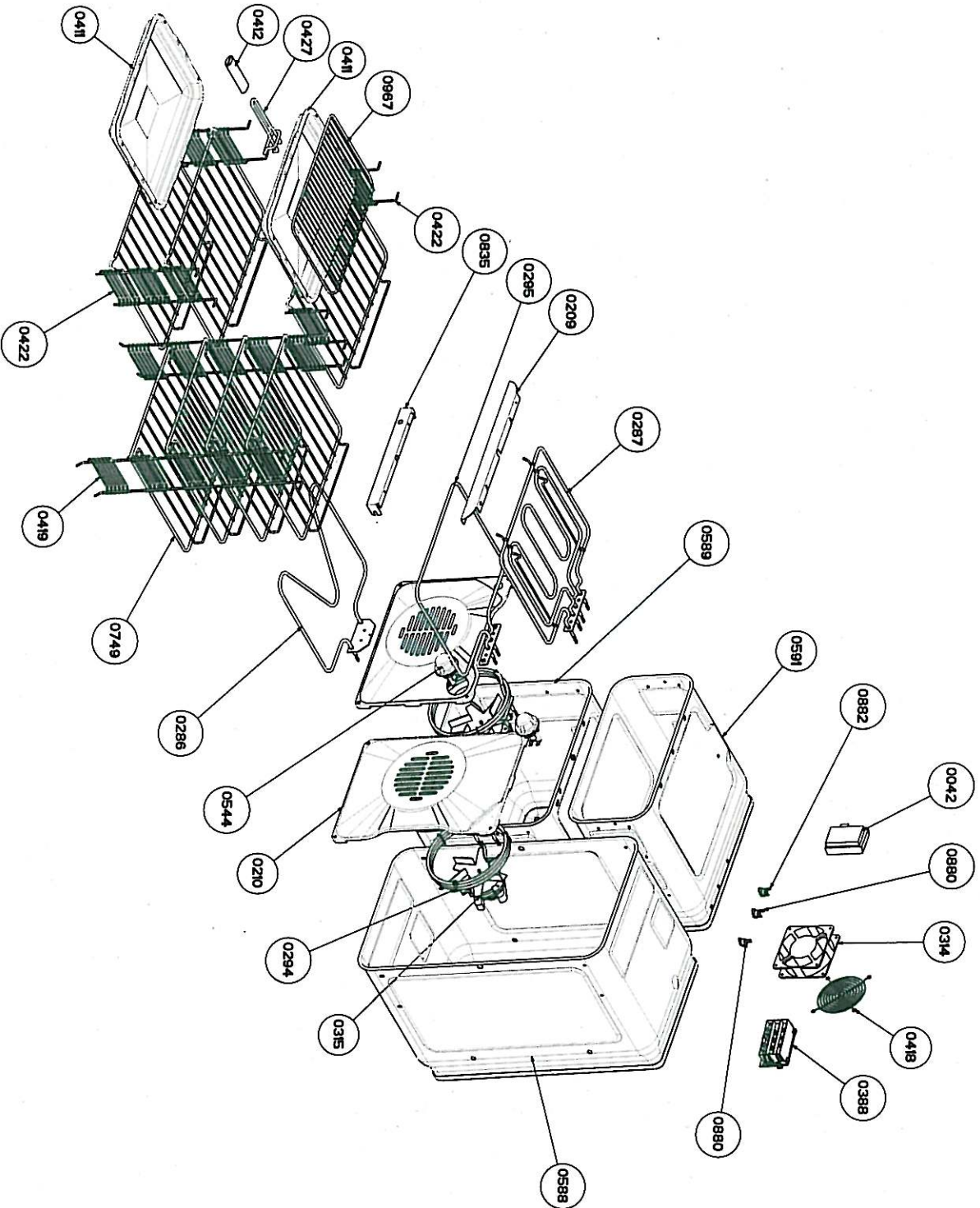
# BELLING 90DF ISSUE 1 DATE 19-04-06 DOORS, FASCIA AND FRONT FRAMES



© This diagram is the property of GLEN DIMPLEX HOME APPLIANCES Not to be reproduced or transmitted in any shape or form without permission of GLEN DIMPLEX HOME APPLIANCES.

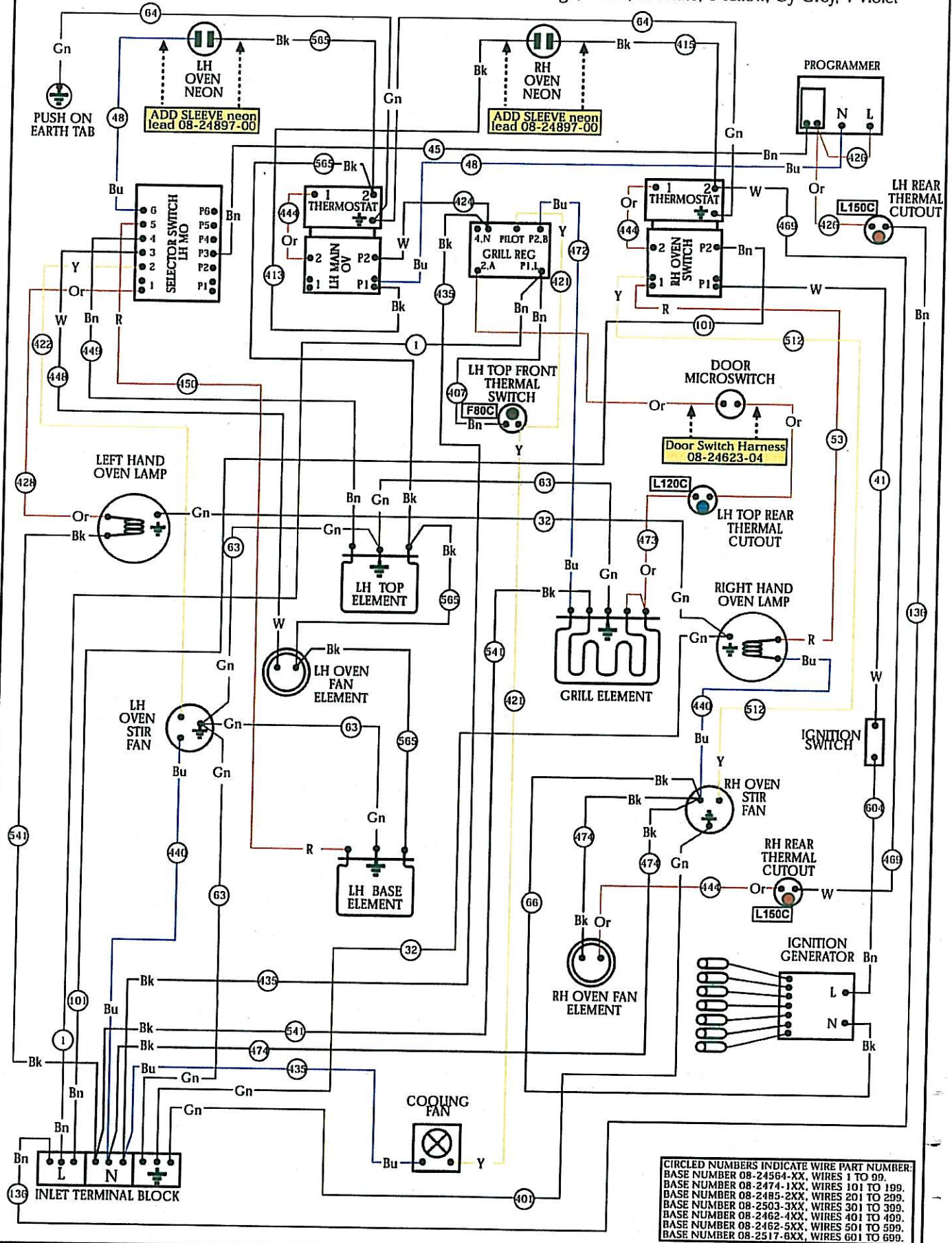


# BELLING 90DF ISSUE 1 DATE 24-04-06 CAVITY ASSEMBLY



© This diagram is the property of GLEN DIMPLEX HOME APPLIANCES. Not to be reproduced or transmitted in any shape or form without permission of GLEN DIMPLEX HOME APPLIANCES.

Wiring colour code: Bk-Black, Bn-Brown, Bu-Blue, Gn-Green, Or-Orange, R-Red, W-White, Y-Yellow, Gy-Grey, V-Violet



CIRCLED NUMBERS INDICATE WIRE PART NUMBER:  
 BASE NUMBER 08-24564-XX, WIRES 1 TO 99.  
 BASE NUMBER 08-2474-1XX, WIRES 101 TO 199.  
 BASE NUMBER 08-2485-2XX, WIRES 201 TO 299.  
 BASE NUMBER 08-2503-3XX, WIRES 301 TO 399.  
 BASE NUMBER 08-2462-4XX, WIRES 401 TO 499.  
 BASE NUMBER 08-2462-5XX, WIRES 501 TO 599.  
 BASE NUMBER 08-2517-6XX, WIRES 601 TO 699.